

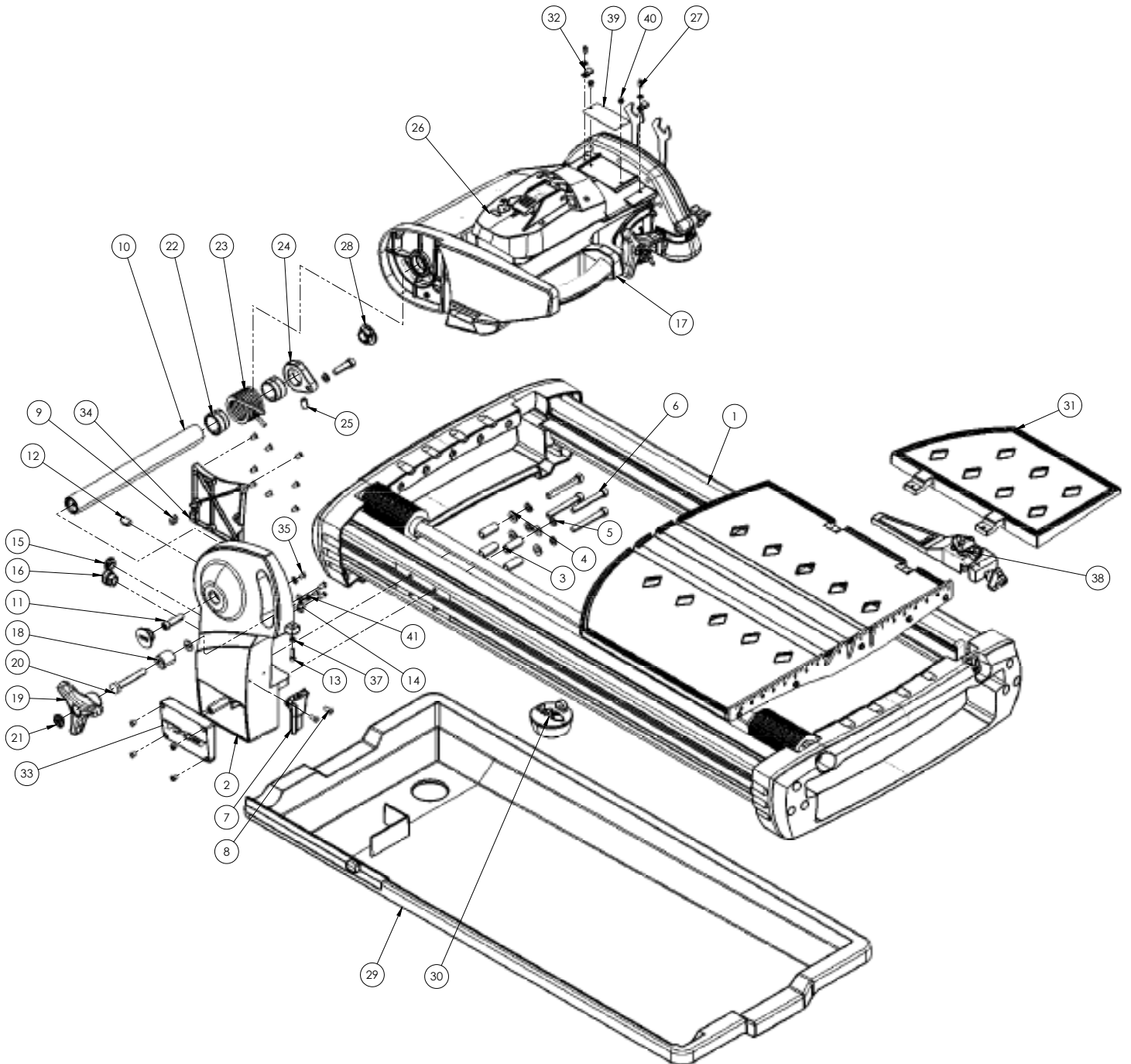
TX-3 TILE SAW OPERATION & PARTS MANUAL



Revision 104	05.2011
Manual Part No. 165808	

Caution: Read all safety and operating instructions before using this equipment. This manual **MUST** accompany the equipment at all times.

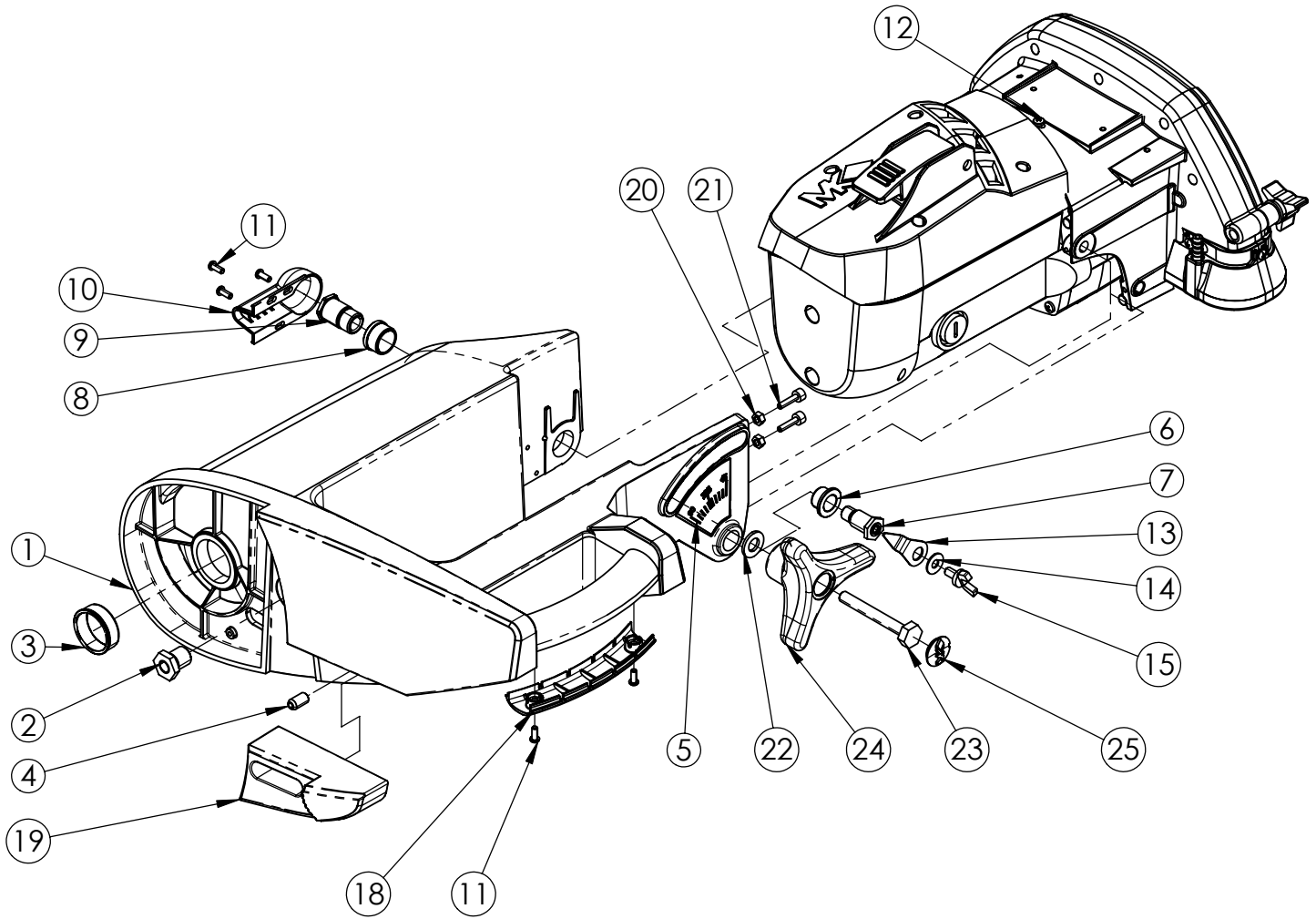
PARTS LIST - ASSY, FINAL - P/N 164800



PARTS LIST - ASSY, FINAL - P/N I64800

ITEM NO.	DESCRIPTION	PART OR IDENTIFYING NO.	QTY. REQ.
1	ASSY, LOWER FRAME	165294	1
2	POST	164843	1
3	SPACER, POST MOUNTING	164839	4
4	WASHER, FLAT, M8	164855	5
5	WASHER, SPLIT LOCK, M8	164860	5
6	SCREW, SOCKET HD CAP, M8 X 70 MM	165301	4
7	HOLDER, WRENCH	164669	1
8	SCREW, PAN HD PHIL, M4 X 12 MM	164778	4
9	O-RING, BUNA-N, .500 X .094	165028	1
10	SHAFT, PIVOT	166686	1
11	SCREW, SOCKET HD CAP, M5 X 35 MM	165311	2
12	SCREW, SOCKET HD SET, M10 X 6 MM	166680	1
13	SCREW, SOCKET HD CAP, M5 X 18 MM	166675	1
14	CLAMP, CABLE	164759	1
15	CAP, POWER CORD	166679	1
16	BUSHING, STRAIN RELIEF	164725	1
17	ASSY, CUTTING HEAD	164850	1
18	SPACER, POST KNOB	166657	1
19	KNOB, TRI	166312	1
20	SCREW, HEX HD CAP, M8 X 65 MM	165318	1
21	CAP, TRI KNOB	166311	1
22	SPACER, SPRING	166684	2
23	SPRING, TORSION	164770	1
24	RETAINER, SPRING	164794	1
25	SCREW, SOCKET HD SET, M8 X 16 MM	166677	1
26	COVER, CUTTING HD	164847	1
27	SCREW, PAN HD PHILIP, M4 X 10 MM	164777	10
28	CAP, MK LOGO	166656	2
29	PAN, WATER	165303	1
30	PLUG, DRAIN	159858	1
31	ASSY, SIDE TABLE	165317	1
32	CLAMP, TUBE	164698	2
33	COVER, OUTER POST	164766	1
34	COVER, INNER POST	164771	1
35	SCREW, PAN HD PHIL, M4 X 8 MM	164776	14
36	WASHER, FLAT, M4	164795	2
37	NUT, HEX, M5	157405	1
38	ASSY, RIP GUIDE	165356	1
39	SERIAL TAG	157500-TX3	1
40	SCREW, QUICK DRIVE, #8 X 1/4	162850	2
41	WASHER, TOOTH LOCK EXT, M4	165352	2

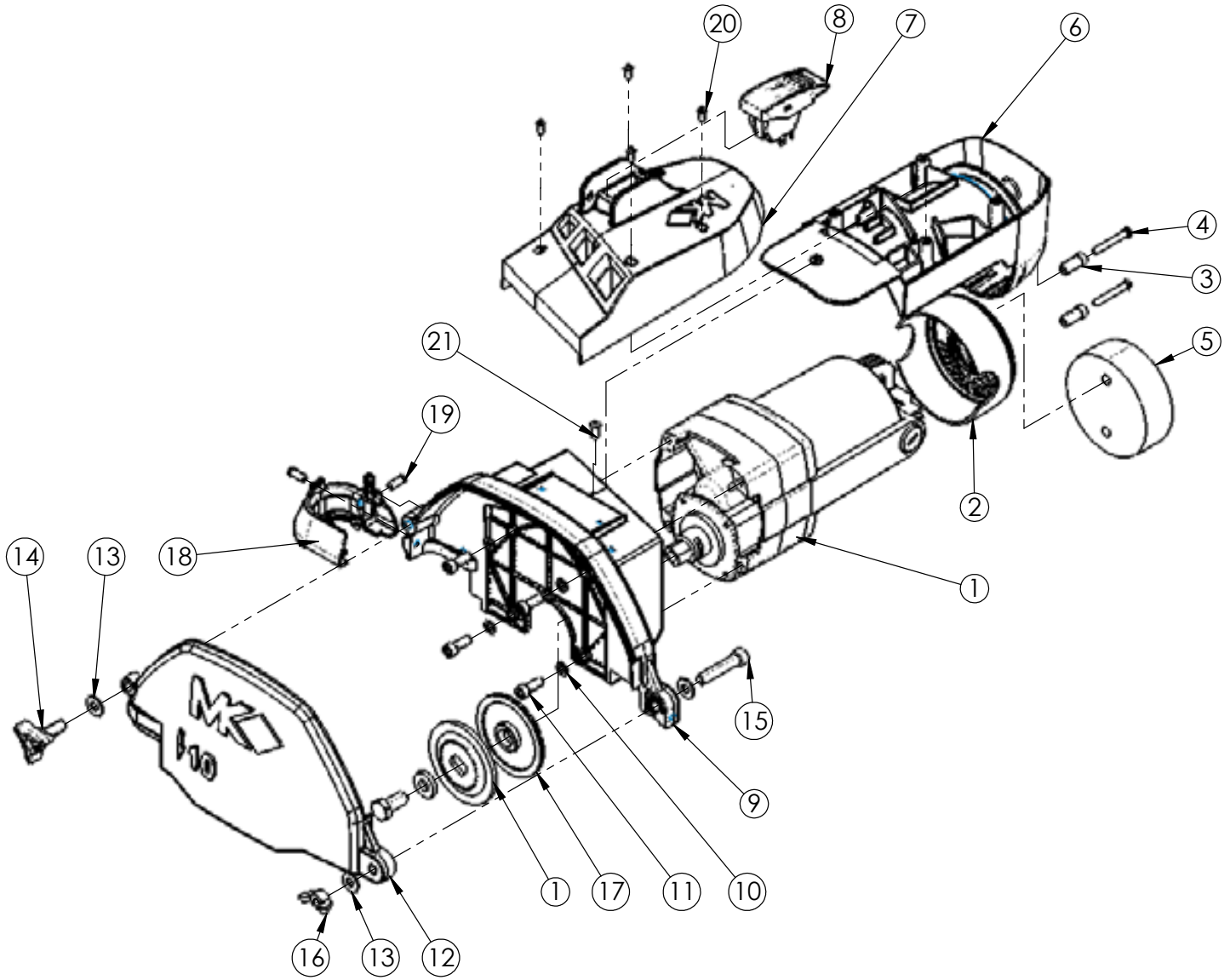
PARTS LIST - ASSY, CUTTING HEAD - P/N 164850



PARTS LIST - ASSY, CUTTING HEAD - P/N 164850

ITEM NO.	DESCRIPTION	PART OR IDENTIFYING NO.	QTY. REQ.
1	CUTTING HEAD	164841	1
2	BUSHING, THDED FLANGE	164844	1
3	BUSHING, PIVOT SHAFT	166668	2
4	PLUNGER, BALL, M8 X 15 MM	166669	1
5	INDEX, MITER	165310	1
6	BUSHING, MITERING, LEFT	166659	1
7	STUD, PIVOT	165308	1
8	BUSHING, MITERING, RIGHT	166660	3
9	BUSHING, WIRE ROUTING	164825	1
10	COVER, WIRE	164786	1
11	SCREW, PAN HS PHILIP, M4 X 10 MM	164777	9
12	ASSY, MOTOR	165029	1
13	POINTER	164828	1
14	WASHER, FLAT, 16 X 6.5 X 1 MM	166681	1
15	SCREW, WING, M6 X 12 MM	165323	1
16	PUMP	164693	1
17	CLAMP, PUMP	165027	2
18	COVER, HANDLE	166670	1
19	STOP, BLADE DEPTH	165014	1
20	NUT, HEX, M5	157405	2
21	SCREW, SOCKET HD CAP, M5 X 18 MM	166675	2
22	WASHER, FLAT, M10	160203	2
23	SCREW, HEX HD CAP, M8 X 65 MM	165318	1
24	KNOB, TRI	166312	1
25	CAP, TRI KNOB	166311	1

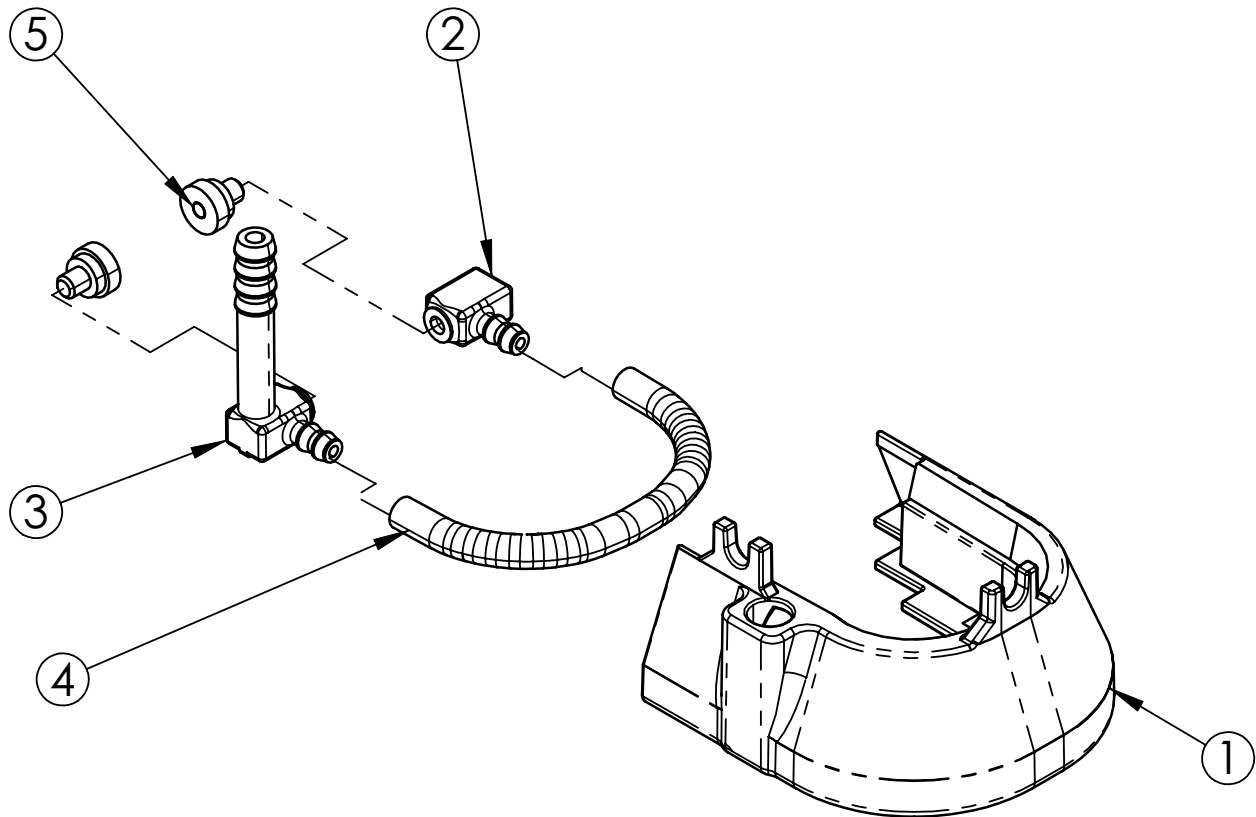
PARTS LIST - ASSY, MOTOR - P/N 165029



PARTS LIST - ASSY, MOTOR - P/N 165029

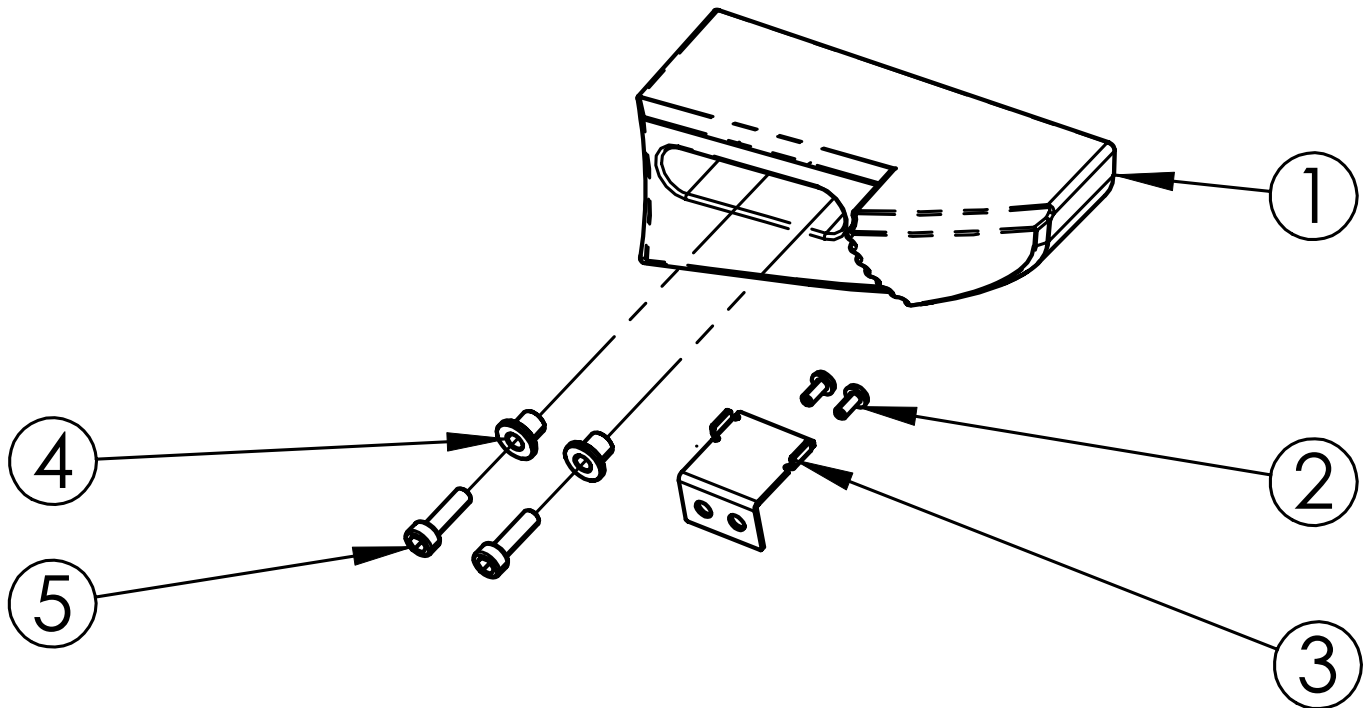
ITEM NO.	DESCRIPTION	PART OR IDENTIFYING NO.	QTY. REQ.
1	MOTOR & ACCESSORIES	157801-C	1
2	CAP, MOTOR	157877	1
3	SPACER, FILTER	157879	2
4	SCREW, PAN HD COMB SELF TAPPING, #8 X 1-1/2	158157	2
5	FILTER	157729	1
6	AFM, LOWER	166688	1
7	FILTER, AFM	166687	1
8	SWITCH, TOGGLE	164761	1
9	GUARD, INNER BLADE	164756	1
10	WASHER, SPLIT LOCK, M6	158159	4
11	SCREW, SOCKET HD CAP, M6 X 20 MM	166674	4
12	GUARD, OUTER BLADE	166661	1
13	WASHER, FLAT, M8	164855	3
14	KNOB, 3 PRONG, M8 X 23 MM	166662	1
15	SCREW, SOCKET HD CAP, M8 X 45 MM	165319	1
16	NUT, WING, M8	165320	1
17	FLANGE, INNER	158106	1
18	MODULE, MISTING	164782	1
19	SCREW, SOCKET, BUTTON HEAD, M5 X 15 MM	165296	2
20	SCREW, PAN HD PHILLIP, M4 X 10 MM	164777	4
21	SCREW, PAN HD PHIL, M4 X 12 MM	164778	1

PARTS LIST - MODULE, MISTING - P/N 164782



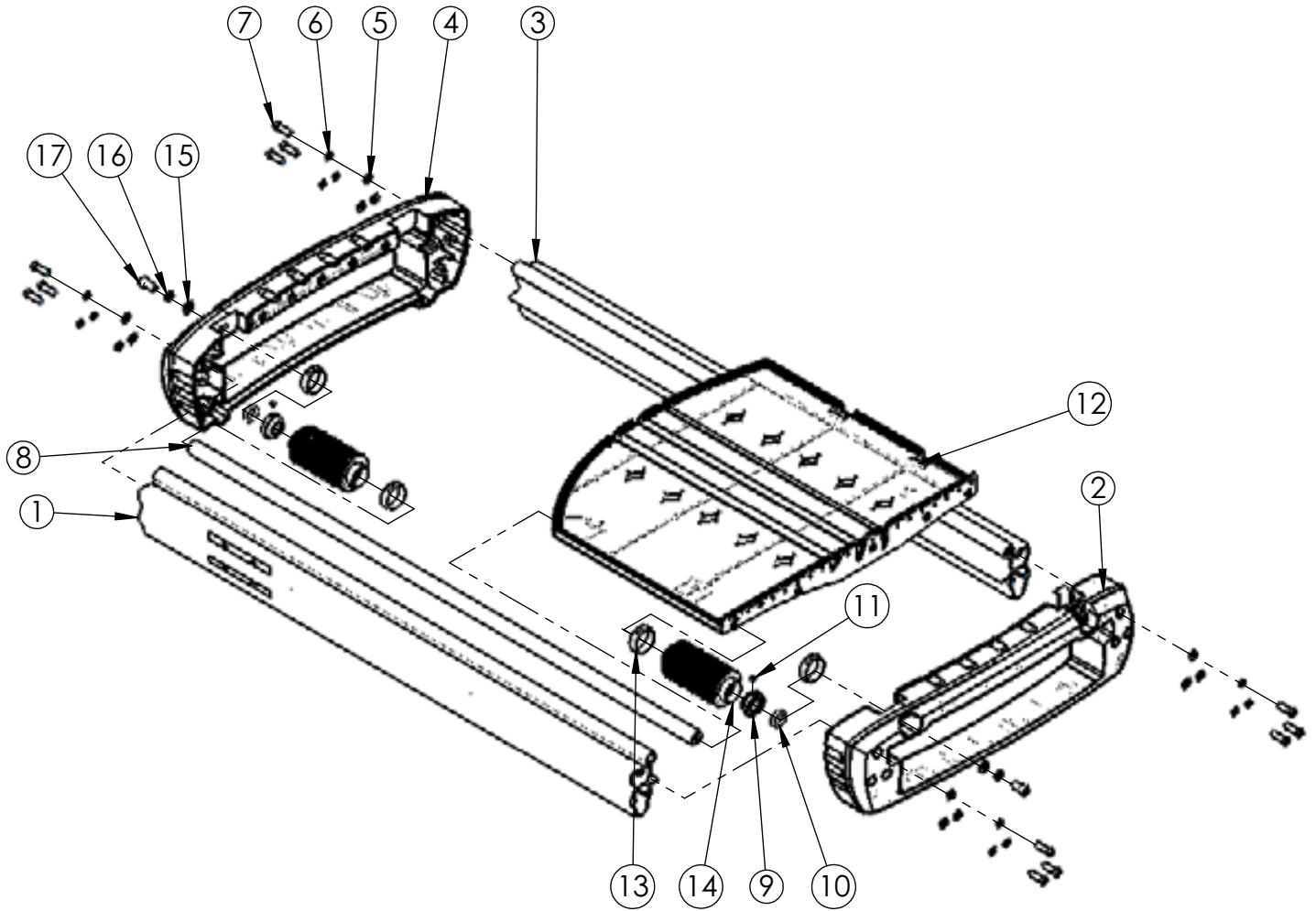
ITEM NO.	DESCRIPTION	PART OR IDENTIFYING NO.	QTY. REQ.
1	HOLDER, MISTING NOZZLE	166665	1
2	FITTING, END	166667	1
3	FITTING, 90-DEG ELBOW	166666	1
4	HOSE, PVC, 1/4 X 3/16	165314	1
5	NOZZLE, 0.3mm, 10-24 THREAD	164699-030	2

PARTS LIST - STOP, BLADE DEPTH - P/N 167135



ITEM NO.	DESCRIPTION	PART OR IDENTIFYING NO.	QTY. REQ.
1	LEVER, PLUNGE LOCK	164848	1
2	SCREW, THD CUTTING, #4 X 1/4	165305	2
3	PLATE, PLUNGE LOCK	165306	1
4	SPACER, PLUNGE LOCK	165307	2
5	SCREW, SOCKET HD CAP, M4 X 14	165309	2

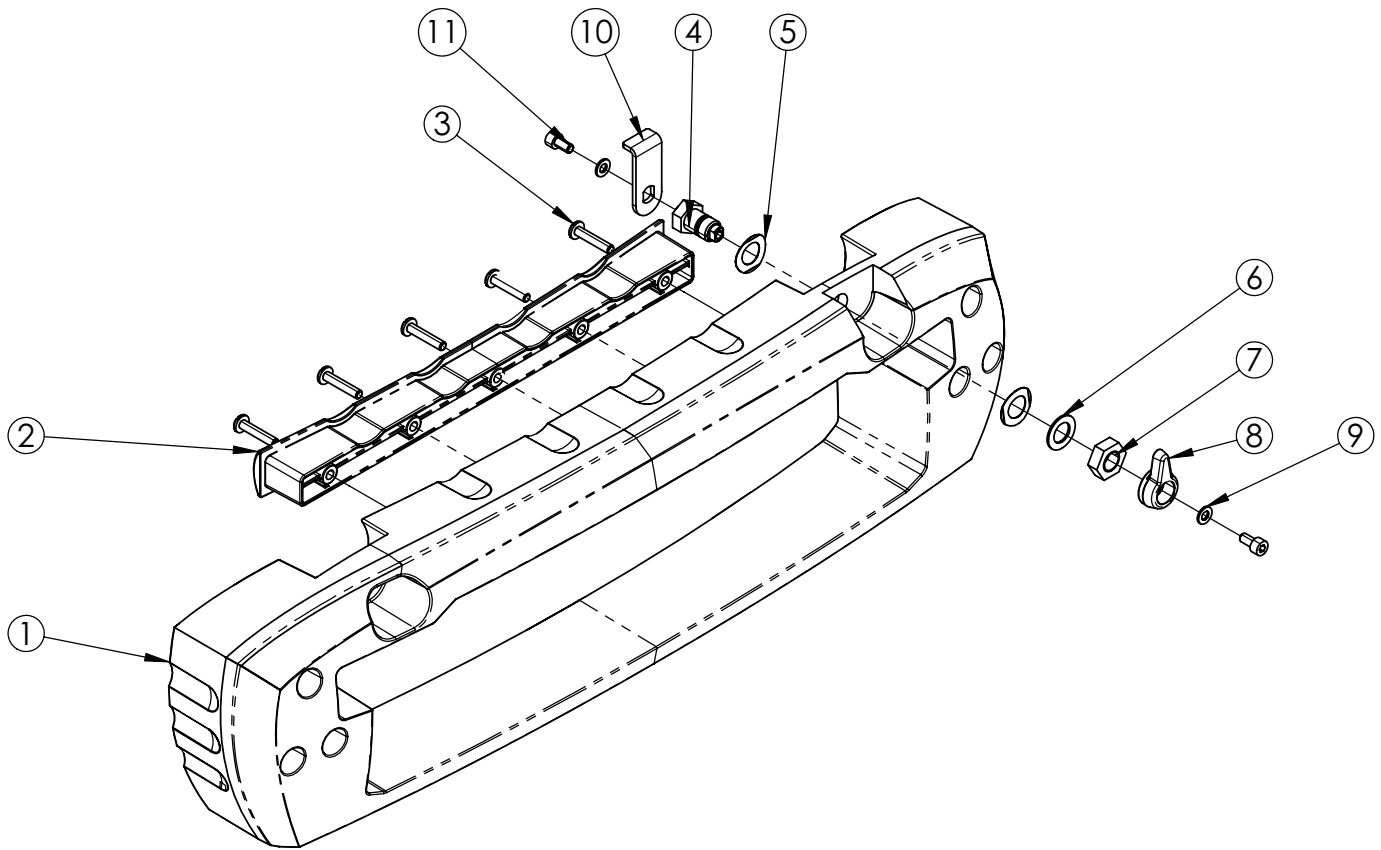
PARTS LIST - ASSY, LOWER FRAME - P/N 165294



PARTS LIST - ASSY, LOWER FRAME - P/N 165294

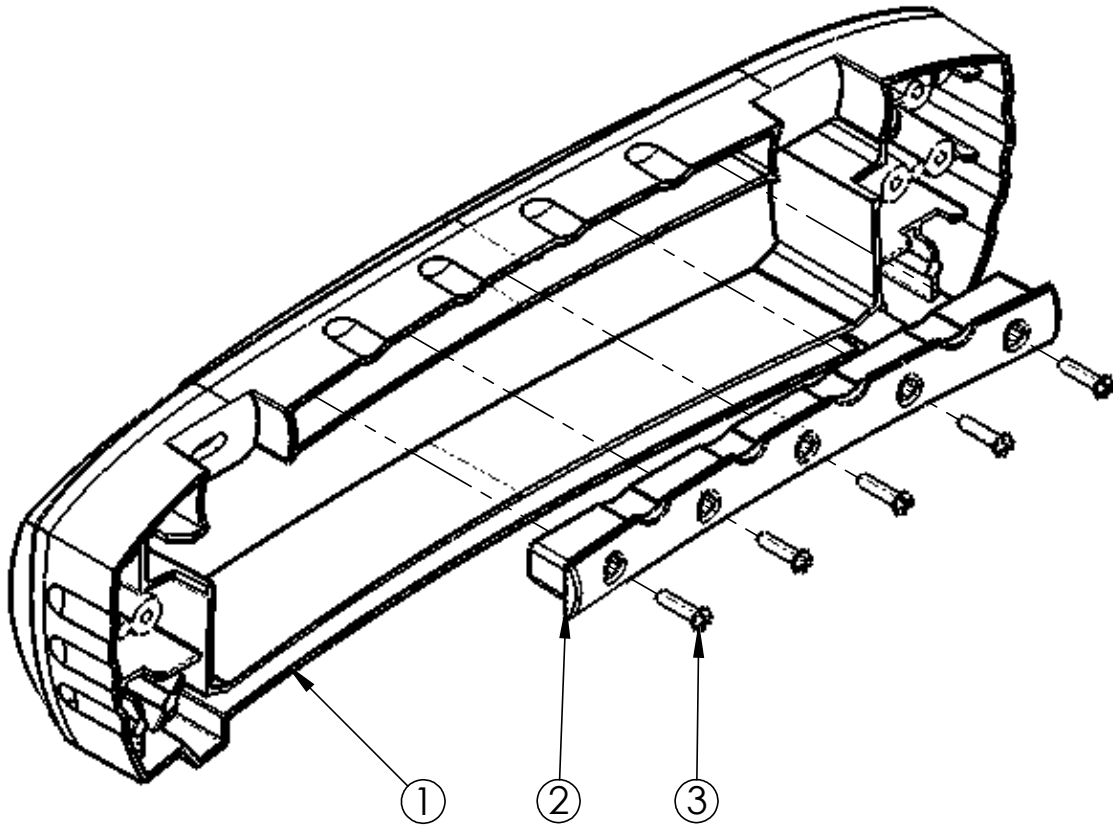
ITEM NO.	DESCRIPTION	PART OR IDENTIFYING NO.	QTY. REQ.
1	RAIL, LEFT	166689	1
2	ASSY, FRONT ENDCAP	164854	1
3	RAIL, RIGHT	166690	1
4	ASSY, REAR ENDCAP	165353	1
5	WASHER, FLAT, M6	160215	12
6	WASHER, SPLIT LOCK, M6	158159	12
7	SCREW, SOCKET HD CAP, M6 X 26 MM	158268	12
8	BAR, GUIDE	164793	1
9	COLLAR, BELLOW	162064	2
10	O-RING, BUNA-N, 20 X 2.5 MM	165295	2
11	SCREW, SOCKET HD SET, M5 X 6 MM	165350	2
12	ASSY, TABLE	165293	1
13	CLAMP, HOSE, 1 1/16 TO 1- 1/4 X 1/2	162065	4
14	BELLOW, RUBBER	162066	2
15	WASHER, FLAT, M8	164855	2
16	WASHER, SPLIT LOCK, M8	164860	2
17	SCREW, SOCKET HD CAP, M8 X 20 MM	160229	2

PARTS LIST - ASSY, FRONT ENDCAP - P/N 164854



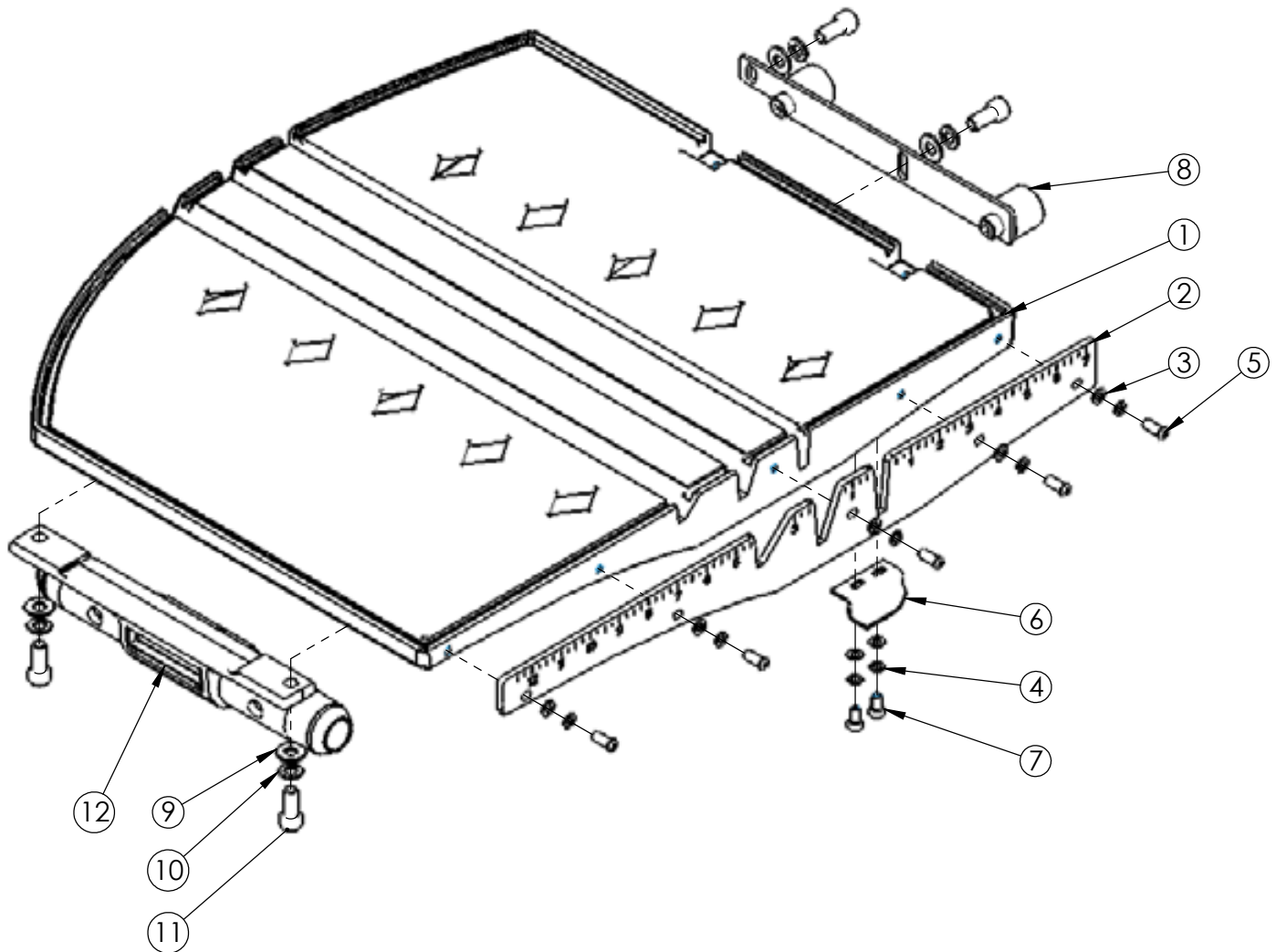
ITEM NO.	DESCRIPTION	PART OR IDENTIFYING NO.	QTY. REQ.
1	ENDCAP, FRONT	164802	1
2	COVER, ENDCAP	164846	1
3	SCREW, PAN HD PHILLIP, M5 X 25 MM	160557	5
4	CYLINDER, TABLE LOCK	164836	1
5	WASHER, WAVE, M12	164856	2
6	WASHER, FLAT, M12	166678	1
7	NUT, JAM, M12	164857	1
8	KNOB, TABLE LOCK	164835	1
9	WASHER, FLAT, M5	164858	2
10	LOCK, TABLE	164834	1
11	SCREW, SOCKET HD CAP, M5 X 10 MM	160567	2

PARTS LIST - ASSY, REAR ENDCAP - P/N 165353



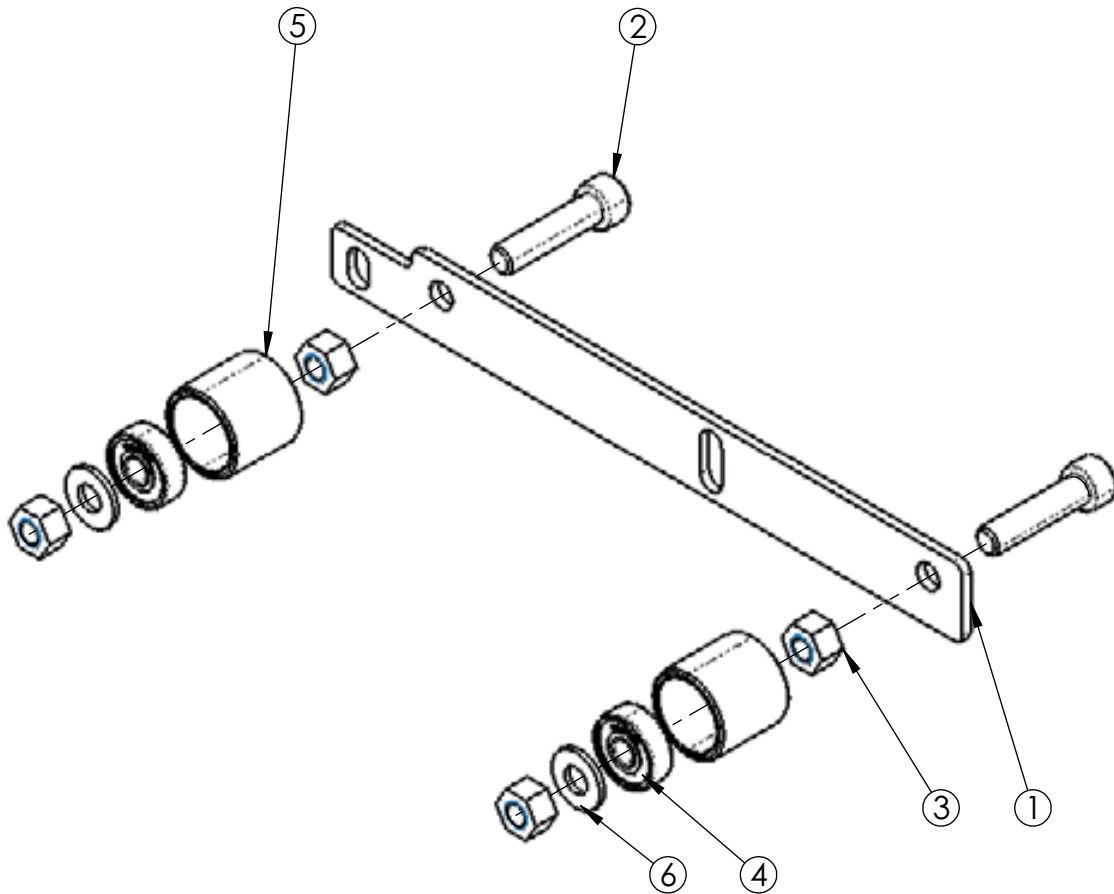
ITEM NO.	DESCRIPTION	PART OR IDENTIFYING NO.	QTY. REQ.
1	ENDCAP, REAR	164833	1
2	COVER, ENDCAP	164846	1
3	SCREW, PAN HD PHILLIP, M5 X 25 MM	160557	5

PARTS LIST - ASSY, TABLE - P/N 165293



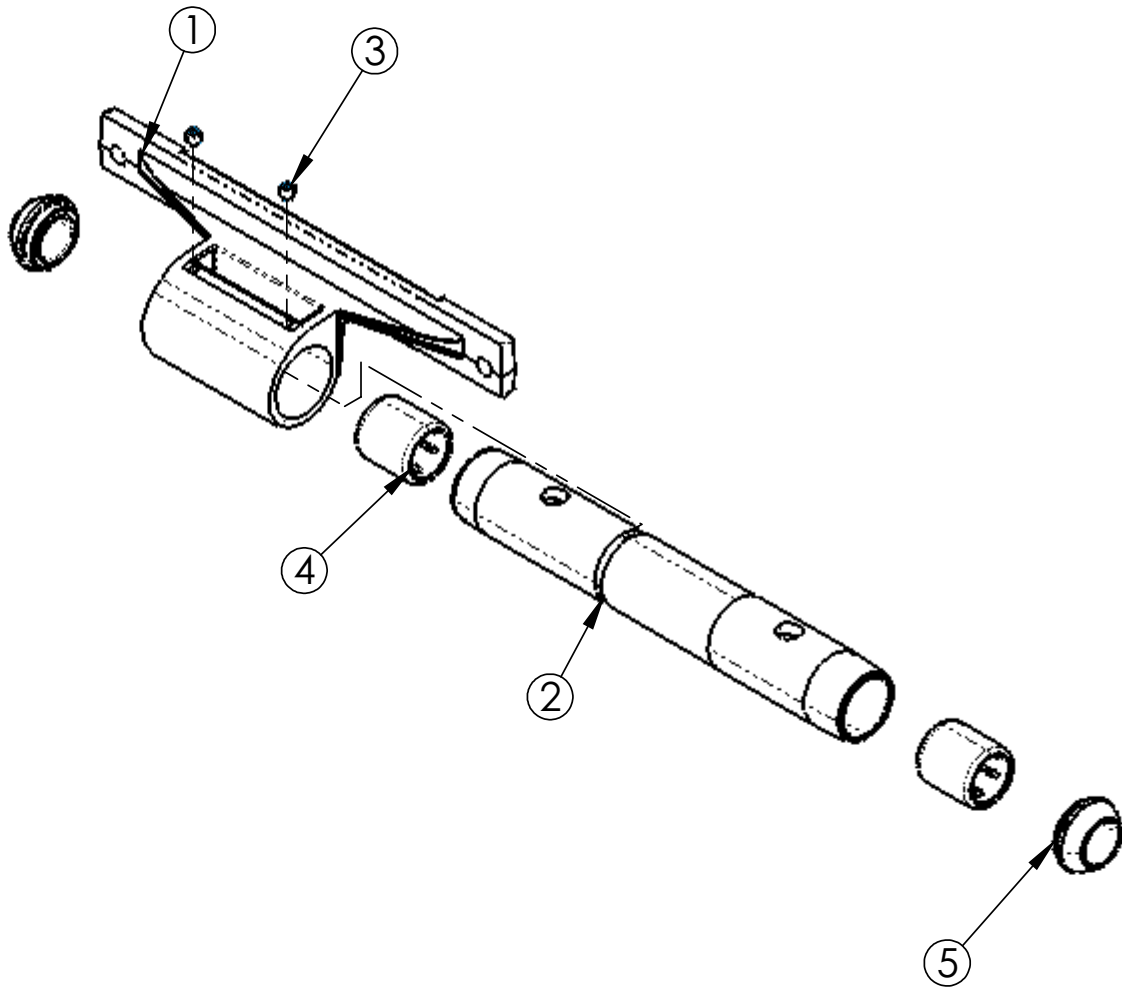
ITEM NO.	DESCRIPTION	PART OR IDENTIFYING NO.	QTY. REQ.
1	TABLE	166682	1
2	FENCE, TABLE	164729	1
3	WASHER, FLAT, M5	164858	7
4	WASHER, SPLIT LOCK, M5	164859	7
5	SCREW, SOCKET, BUTTON HEAD, M5 X 15 MM	165296	5
6	PLATE, GUIDE, TABLE LOCK	164837	1
7	SCREW, SOCKET HD CAP, M5 X 10 MM	160567	2
8	ASSY, ROLLER WHEEL BRACKET	165300	1
9	WASHER, FLAT, M8	164855	4
10	WASHER, SPLIT LOCK, M8	164860	4
11	SCREW, SOCKET HD CAP, M8 X 20 MM	160229	4
12	ASSY, LINEAR BEARING	165299	1

PARTS LIST - ASSY, ROLLER WHEEL BRACKET - P/N 165300



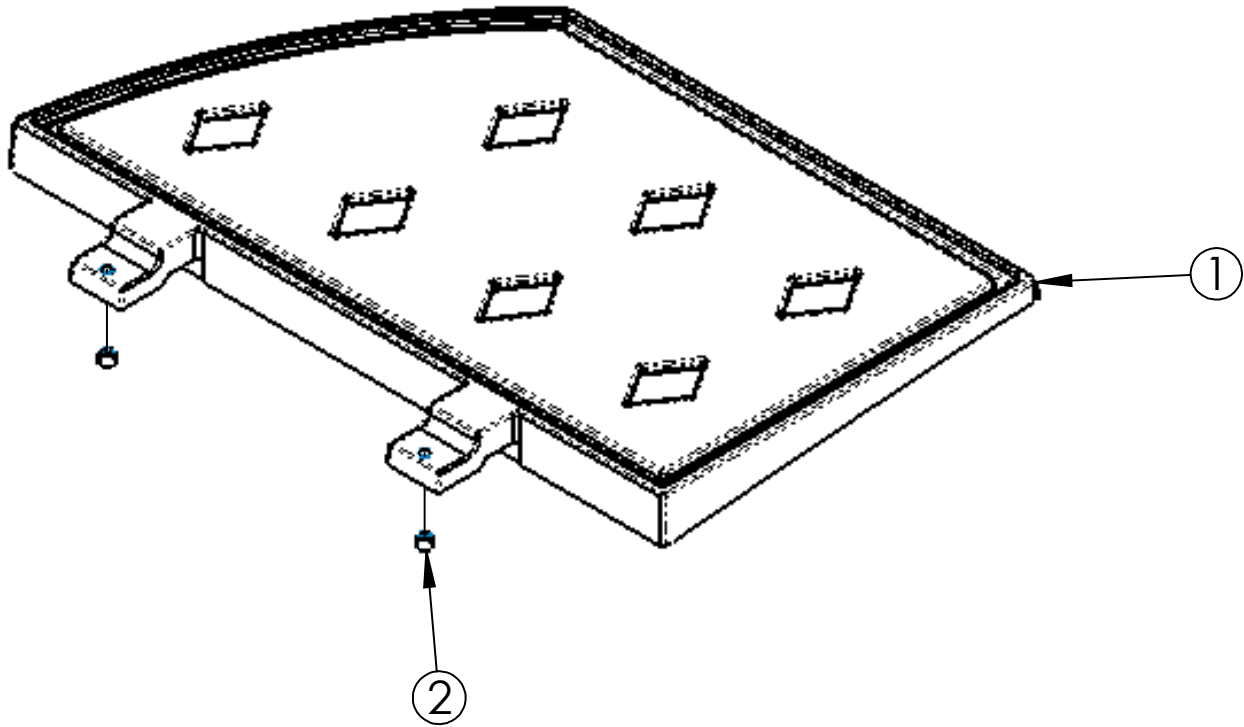
ITEM NO.	DESCRIPTION	PART OR IDENTIFYING NO.	QTY. REQ.
1	BRACKET, ROLLER WHEEL	164730	1
2	SCREW, SOCKET HD CAP, M5 X 35 MM	165311	2
3	NUT, HEX, M8	165030	4
4	BEARING, BALL, 608AS	166683	2
5	WHEEL, ROLLER	166672	2
6	WASHER, FLAT, M8	164855	2

PARTS LIST - ASSY, LINEAR BEARING - P/N 165299



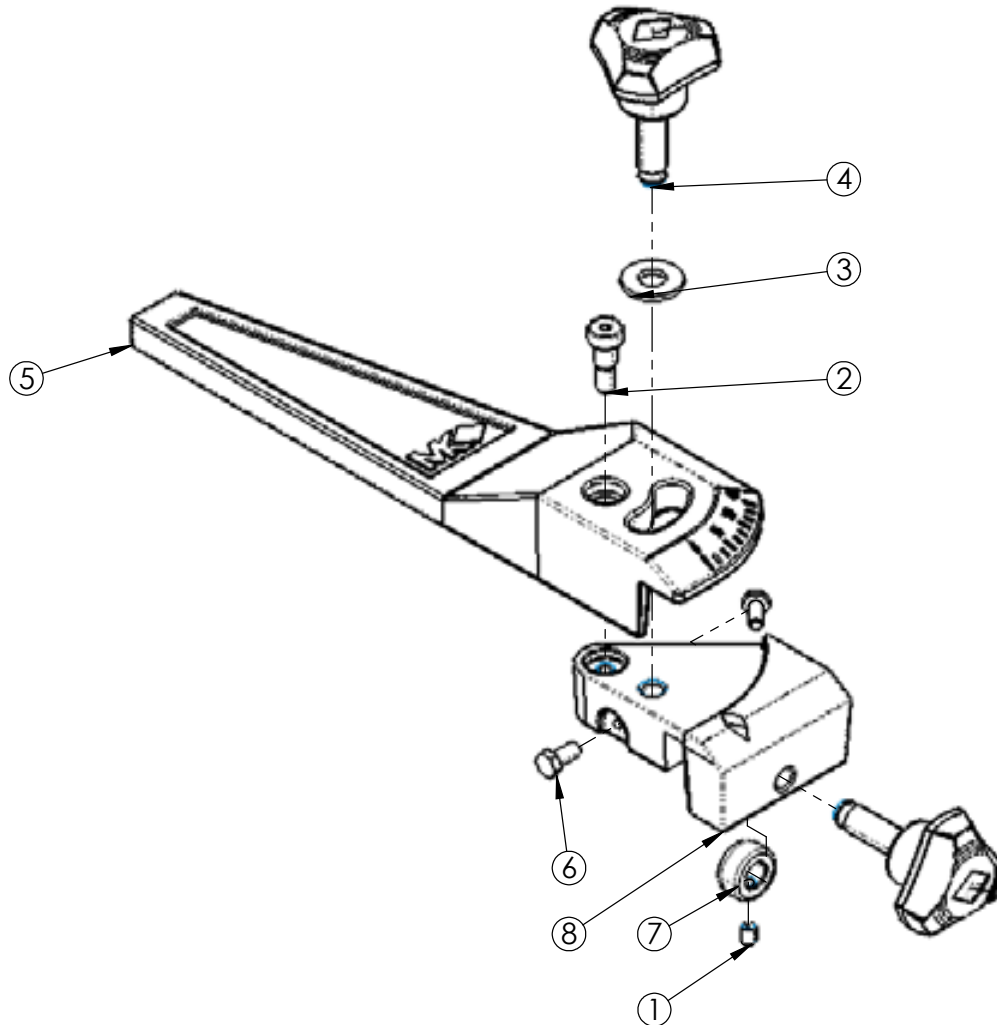
ITEM NO.	DESCRIPTION	PART OR IDENTIFYING NO.	QTY. REQ.
1	HOUSING, LINEAR BEARING	162062	1
2	BUSHING, LINEAR GUIDE	162063	1
3	SCREW, SOCKET HD SET, M5 X 6MM	165350	2
4	BEARING, SLEEVE	166671	2
5	CAP, GUIDE BUSHING	166673	2

PARTS LIST - ASSY, SIDE TABLE - P/N 165317



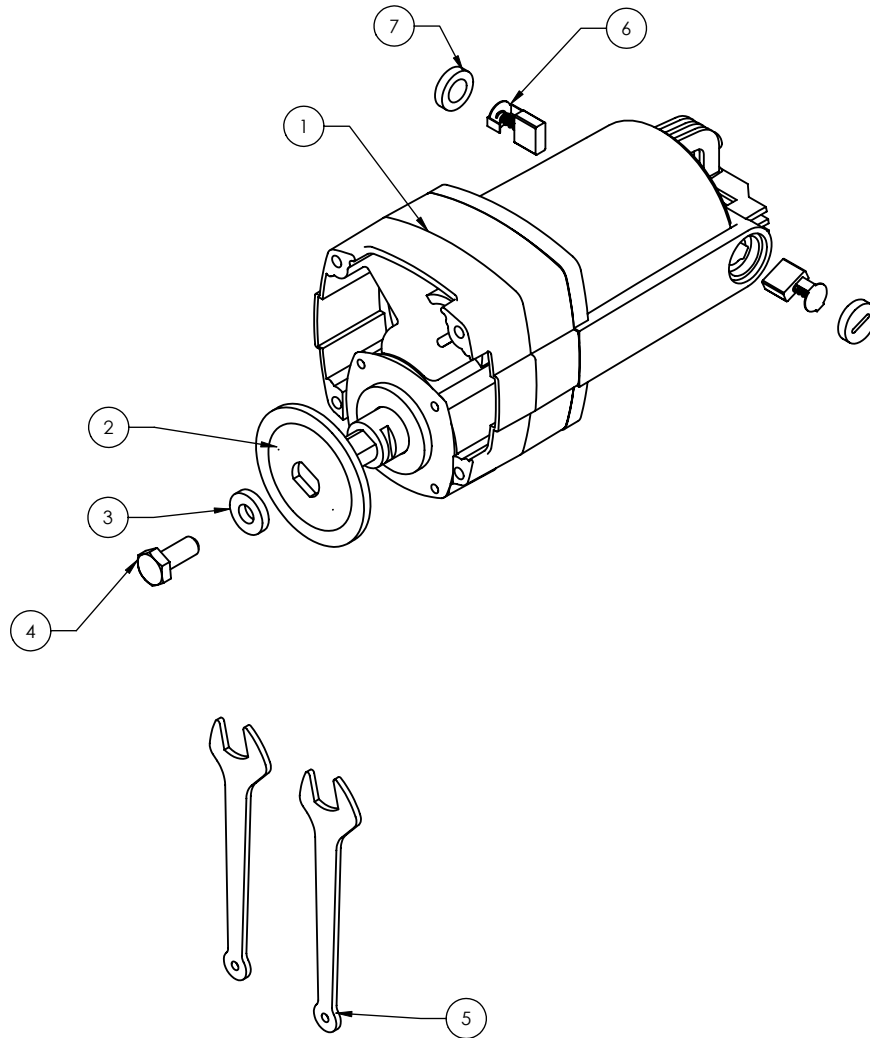
ITEM NO.	DESCRIPTION	PART OR IDENTIFYING NO.	QTY. REQ.
1	TABLE, SIDE	166676	1
2	SCREW, SOCKET HD SET, M5 X 6 MM	165350	2

PARTS LIST - ASSY, RIP GUIDE - P/N 165356



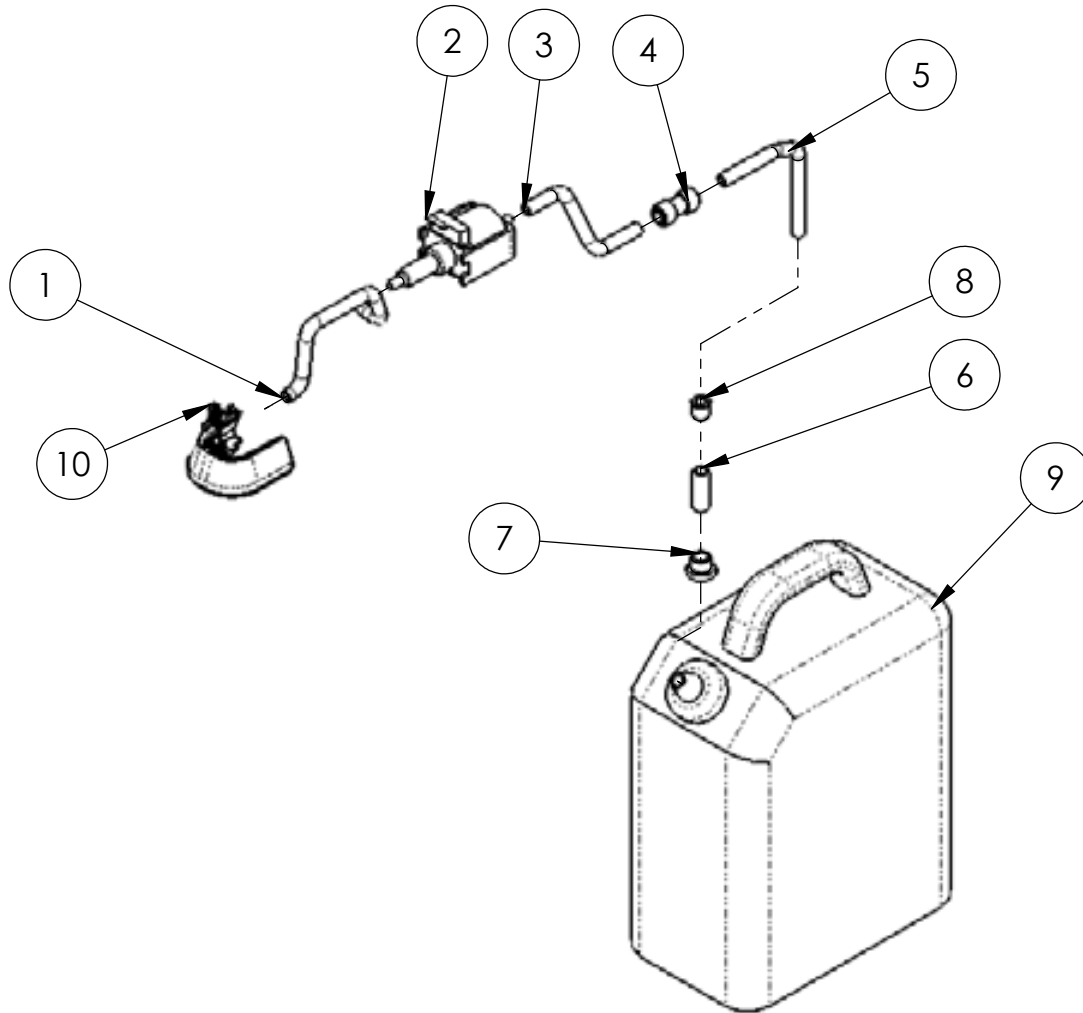
ITEM NO.	DESCRIPTION	PART OR IDENTIFYING NO.	QTY. REQ.
1	SCREW, SOCKET HD SET, M4 X 6 MM	165313	1
2	SCREW, SHOULDER, SOCKET CAP, M6 X 8 MM	154363	1
3	WASHER, FLAT, M8	164855	1
4	KNOB	165360	2
5	GUIDE	165357	1
6	SCREW, HEX HD CAP, M4 X 10 MM	165362	2
7	SEAT, CLAMPING	165361	1
8	BASE	165359	1

PARTS LIST - MOTOR & ACCESSORIES - P/N 166232-C



ITEM NO.	DESCRIPTION	PART OR IDENTIFYING NO.	QTY. REQ.
1	MOTOR	157801-C	1
2	FLANGE, OUTER	158105	1
3	WASHER, M10	166134	1
4	SCREW, HEX HD CAP, M10 X 20 MM	152272	1
5	WRENCH, 17 MM	158110	2
6	BRUSH, MOTOR	166228	2
7	CAP, MOTOR BRUSH	166229	2

PARTS LIST - MISTING KIT - P/N 166788



ITEM NO.	DESCRIPTION	PART OR IDENTIFYING NO.	QTY. REQ.
1	TUBING, POLYURETHANE, 3/8 X .245 X 19	165008	1
2	PUMP	164693	1
3	TUBING, POLYURETHANE, 3/8 X .245 X 24	165005	1
4	COUPLING, PUSH-TO-CONNECT, 3/8 X 3/8	165004	1
5	TUBING, PVC, 3/8 X 1/4 X 51"	164692	1
6	TUBING, PVC, 1/2 X 3/8 X 1-1/2	165001	1
7	FILTER	164691	1
8	GROMMET	165003	1
9	CONTAINER, WATER	165002	1
10	MODULE, MISTING	164782	1
11	CARTON, OUTER (NOT SHOWN)	152566	1
12	INSTRUCTION SHEET (NOT SHOWN)	166788-IS	1

TX-3 TILE SAW
OPERATION & PARTS MANUAL
DOCUMENT NO. I65808



MK Diamond Products, Inc.

MK Diamond Products, Inc.
1315 Storm Parkway
Torrance, CA 90501

Toll-Free: (800) 845-3729
Phone: (310) 539-2221
Fax: (310) 539-5158
www.mkdiamond.com